

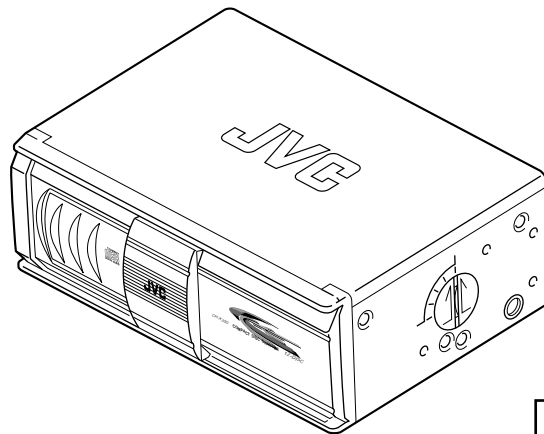
JVC

SERVICE MANUAL

CD CHANGER

CH-X350PK

Supplement



COMPACT
disc
DIGITAL AUDIO

Area suffix

E Continental Europe

Note

The CH-X350PK is the same as the CH-X350 except for front design changes.
The changed parts are indicated in the parts comparison table.
Please refer to the previously issued CH-x200 manual(No.49493)
regarding other information.

Contents

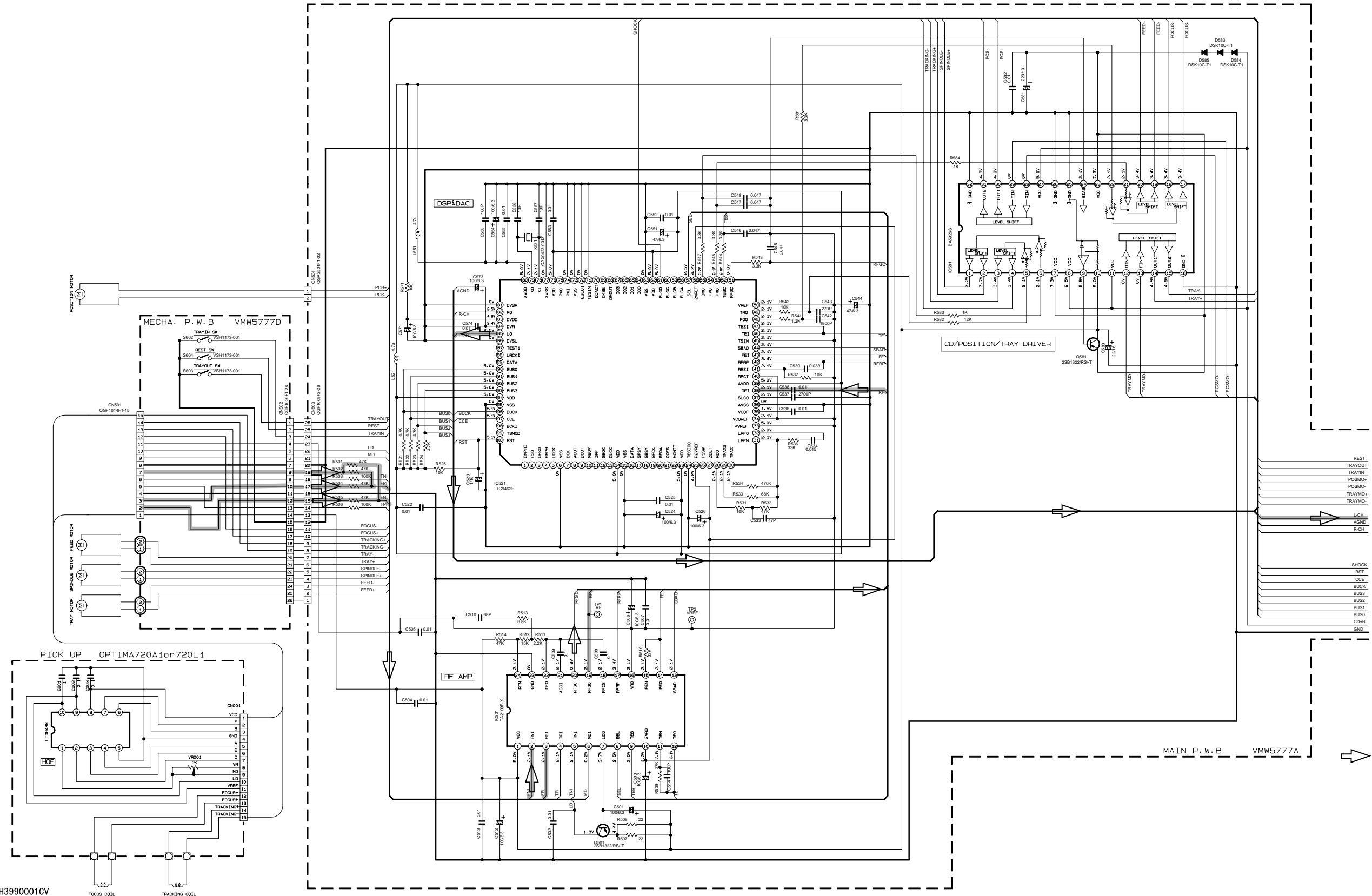
Standard schematic diagrams-----	1
Parts comparison table between CH-X350E and CH-X350PKE-----	3

Standard schematic diagrams

■ Main circuit 1/2

- NOTES
1. VOLTAGES ARE DC-MEASURED WITH A DIGITAL VOLT METER WITHOUT INPUT SIGNAL CONDITION---CD MODE.
 2. UNLESS OTHERWISE SPECIFIED, ALL RESISTORS ARE 1/10W OR 1/4W 25% METAL GLAZE RESISTOR. ALL CAPACITORS ARE 50V OR 25V CERAMIC CAPACITOR. ALL RESISTANCE VALUES ARE IN OHM. ALL CAPACITANCE VALUES ARE IN UF(P=PF) ALL E. CAPACITORS ARE SHOWN IN THE FORM OF CAPACITANCE(UF)/RATED VOLTAGE(V)

5
4
3
2
1



Note: VDH3990001CV /s/C/C399002

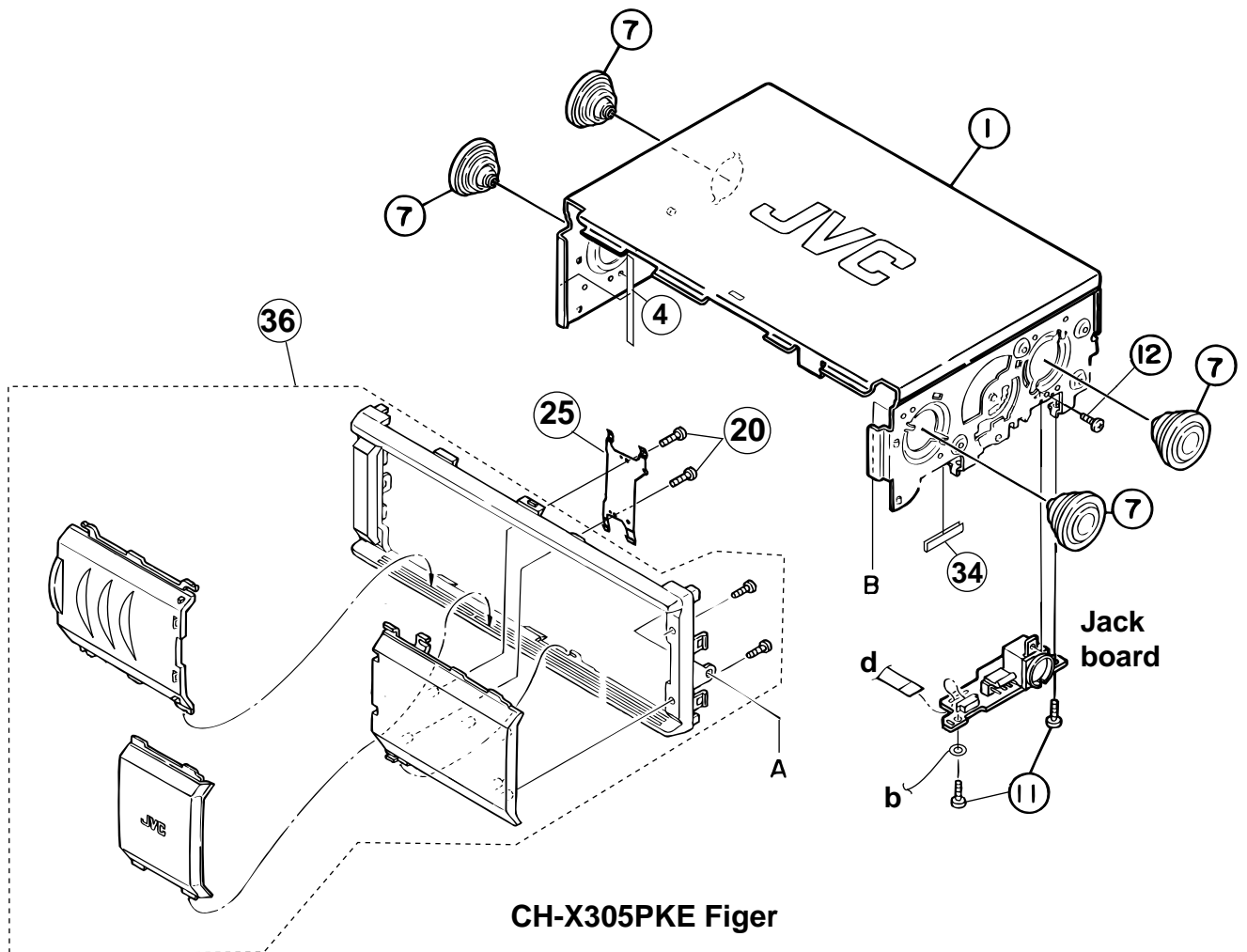
A B C D E F G 1

Parts comparison table between CH-X350E and CH-X350PKE

■Parts list(General assembly)

P2-3 Block No. M1MM

△	Item	Parts name	CH-X350E		CH-X350PKE	
			Parts number	Q'ty	Parts number	Q'ty
	8	DAMPER SP(L)	LV40346-002A	1	LV40346-003A	1
	9	DAMPER SP(R)	LV40345-002A	1	LV40345-003A	1
	11	SCREW	QYSDSR2006Z	6	QYSDST2005Z	2
	13	DAMPER BRACKET	LV40529-002A	4	-----	-
	14	FRONT PANEL	LV10319-003A	1	-----	-
	15	DOOR-1	LV20620-003A	1	-----	-
	16	DOOR-2	LV20621-003A	1	-----	-
	17	DOOR-3	LV20622-003A	1	-----	-
	18	SPACER	LV41266-001A	1	-----	-
	20	SCREW	QYSDSF2006Z	4	QYSDSF2006Z	2
	21	NAME PLATE	LV31646-001A	1	LV32227-001A	1
	36	FRONT PANEL ASSY	-----	-	LV20792-004A	1

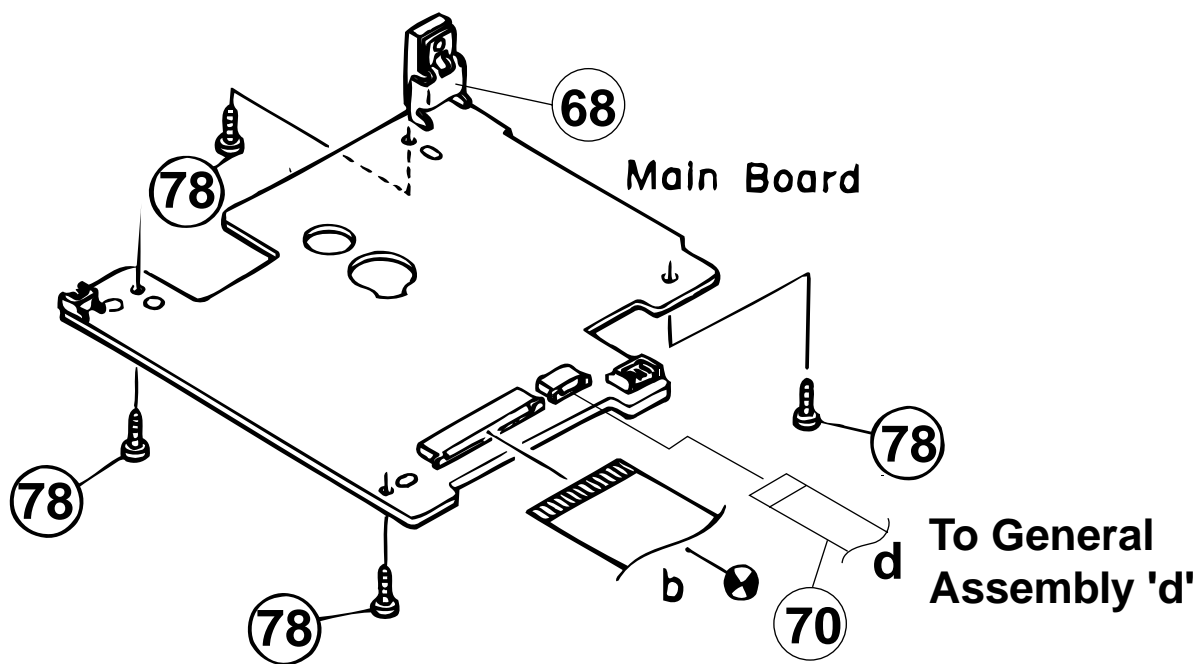


Parts comparison table between CH-X350E and CH-X350PKE

■Parts list(CD changer mechanism)

P2-5 Block No. M2MM

△	Item	Parts name	CH-X350E		CH-X350PKE	
			Parts number	Q'ty	Parts number	Q'ty
	1	CHASSIS (L) ASSY	LV30096-002A	1	LV30096-004A	1
	3	SCREW	QYSDST2004Z	27	QYSDST2004Z	23
	22	E.RING	REE1500X	1	LV42132-001A	1
	23	ROD (U)	LV40135-003A	1	LV40135-004A	1
	24	ROD (L)	LV40136-002A	1	LV40136-003A	1
	29	SENSOR SPRING	LV40137-001A	1	LV40137-002A	1
	43	ELEVATOR SPRING	LV40474-002A	1	LV40474-003A	1
	53	SHAFT HOLDER	LV30122-001A	1	LV30122-002A	1
	63	PICK FPC	LV30450-003A	1	LV30450-004A	1
	72	LIFT ARM ASSY	LV40123-004A	1	LV40123-006A	1
	74	EJECT SPRING	LV40126-003A	2	LV40126-005A	2
	78	SCREW	-----	-	QYSDST2005Z	4



CH-X305PKE Figer

Parts comparison table between CH-X350E and CH-X350PKE

■ Main board

P2-7 Block No. 01

△	Item	Parts name	CH-X350E		CH-X350PKE	
			Parts number		Parts number	
	C952	E CAPACITOR	QERF1HM-224Z		-----	
	CN901	CONNECTOR	QGA3901F1-04		-----	
	D901	DIODE	2A02		-----	
	D902	DIODE	2A02		-----	
	L902	INDUCTOR	QQR0779-001Z		-----	

■ Packing parts list

P2-10 Block No. M3MM

△	Item	Parts name	CH-X350E		CH-X350PKE	
			Parts number	Q'ty	Parts number	Q'ty
	P1	PACKING CASE	LV31647-001A	1	LV32229-001A	1
	P2	ACCESSARY BOX	LV30453-003A	1	LV10355-001A	1
	P6	SEPALATOR	LV30575-002A	1	LV31895-001A	1
	P7	SPACER	LV30576-002A	1	LV31896-001A	1
	P8	PAPER CUSHION	LV10057-201A	2	LV10057-202A	2

■ Accessories parts list

P2-10 Block No. M4MM

△	Item	Parts name	CH-X350E		CH-X350PKE	
			Parts number	Q'ty	Parts number	Q'ty
	A1	INSTRUCTION BOOK (LANGUAGE)	LVT0406-002A (ENG,GER,FRE)	1	LVT0406-002C (ENG,GER,FRE)	1
	A1	INSTRUCTION BOOK (LANGUAGE)	LVT0406-003A (DUT,SPA,ITA)	1	LVT0406-003C (DUT,SPA,ITA)	1
	A1	INSTRUCTION BOOK (LANGUAGE)	LVT0406-004A (SWE,FIN)	1	LVT0406-004C (SWE,FIN)	1
	A7	MOUNT HOLDER(L)	LV20066-002A	1	LV20738-002A	1
	A8	MOUNT HOLDER(R)	LV20178-002A	1	LV20737-002A	1
	A17	MAGAZINE ASS'Y	LV30682-204A-CL	1	LV30682-205A-CL	1

JVC

VICTOR COMPANY OF JAPAN, LIMITED

MOBILE ELECTRONICS DIVISION

PERSONAL & MOBILE NETWORK BUSINESS UNIT 10-1, 1Chome, Ohwatari-machi, Maebashi-city, Japan